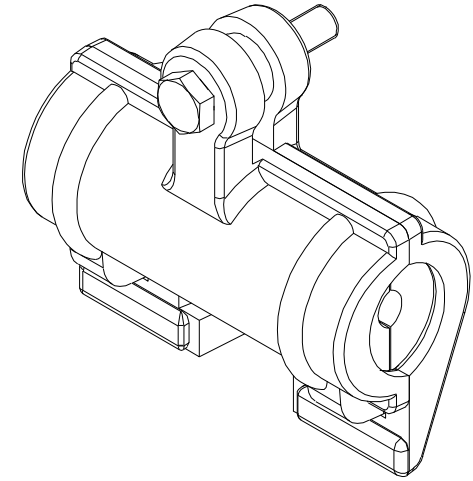
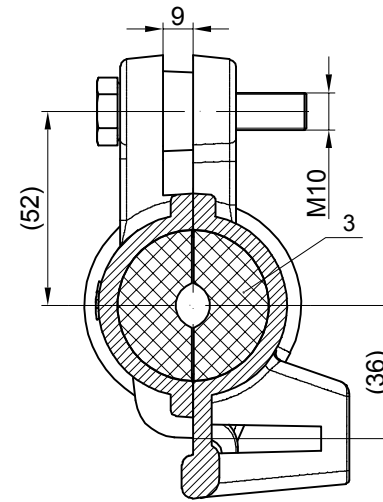
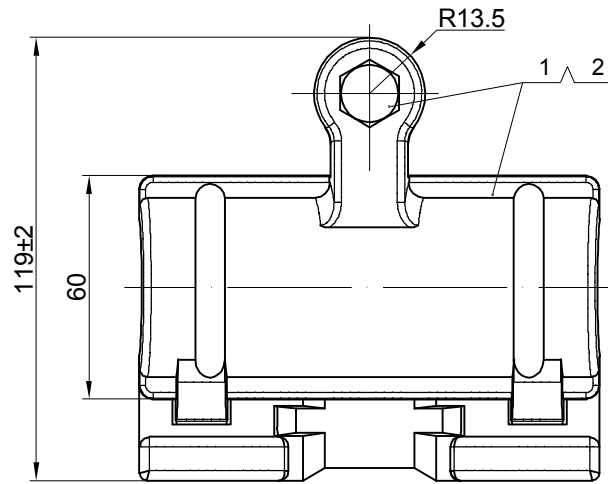
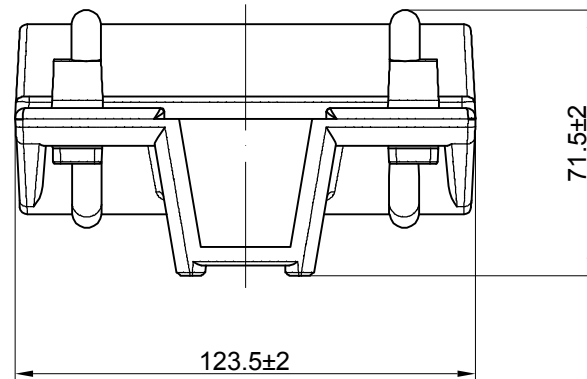


A



B

C



3	rubber	1	φ	EPDM	
2	Casing	1	TK-01	Aluminium alloy	
1	Bolt	1	M10*50	Hot dip galvanized	
ITEM	DESCRIPTION	Q'TY	TYPE	MATERIAL	REMARK

D

NOTE:

- 1、 The unit of length is mm;
- 2、 All connecting fittings are hot-dip galvanized;
- 3、 Rubber core is selected according to customer's demand;



Tolerance

≤30mm	±1.5mm
>30mm	±5%
MAX.	±20mm

Suspension set

DRAWING	L.B	DATE:2024-1-12	DRAWING NO.	Version
VERIFY	W.F		SAS-1	A
RATIFICATION	Dan			

3

4

5

6