

**LiFePO4 BATTERY**

**XMB-LiFe-12.8/100AH & 200AH**

XMB-LiFe es una familia de baterías basadas en celdas de tecnología LiFePO4 diseñada para aplicaciones de descargas profundas cuya intención es poder reemplazar a las baterías de tecnología VRLA y de GEL. Diseñada para cumplir con los estándares de seguridad, rendimiento y calidad mundial más exigentes. Estas baterías vienen equipadas con un grupo de opciones y protecciones muy interesantes. Incluye un BMS por hardware para controlar y proteger la batería. Opcionalmente cuenta con un puerto RS485-USB que permite comunicar con un PC para configurar y controlar la batería, además de un pulsador de ON/OFF y los LEDs para informar sobre el estado de la carga (SOC) de la batería.

La batería, gracias a su BMS interno, implementa sistemas de protección contra: Sobrecargas, Sobredescargas, Sobrecorrientes, Cortocircuitos y temperaturas fuera del rango de operación (alta y baja temperatura).

La tecnología de Ión de Litio LiFePO4 permite operar libre de mantenimiento en temperaturas entre 0 °C hasta +50 °C y soportar hasta 3.500 ciclos de carga/descarga profundas 100% (hasta 80% EOL a 25°C. con 0.5C/0.5C). Esta batería cuenta con certificación UN38.3 y CE.



**APLICACIONES**

**Telecomunicaciones**



**Sistemas Solares**



**UPS**



**CARACTERÍSTICAS**

- Celdas de larga vida tipo LiFePO4
- BMS y Puerto de Comunicación integrados
- Pulsador ON/OFF y LEDs de SOC
- Sistema de protecciones múltiples
- Permite hasta 4 unidades en serie y hasta 4 sets en serie
- Certificación UN38.3 y CE

**VENTAJAS**

- Vida Útil: > 3500 ciclos (100% DOD 0.5C at 25°C)
- Temperatura (sin calentador):
  - Recarga: 0 to +50°C
  - Descarga: -20 to +55°C
- Tamaño pequeño y ligera
- Caja de Alto Impacto: ABS+PC
- IP65 class (modelos sin puerto USB)

# LiFePO4 - MAINTENANCE-FREE BATTERY

## 12.8V - 100AH (1280Wh)

**Xmart**  
by **Integra**

**Model: V0 (Version without communication Options /Versión sin opciones de comunicación)**

### TECHNICAL SPECIFICATIONS / Especificaciones Técnicas

Nominal Voltage	12.8V	
Nominal Capacity	100AH	
Total Energy	1280Wh	
Dimensions	Length:	229 ± 2mm
	Width:	138 ± 2mm
	Container Height:	210 ± 2mm
	Total Height (with terminals):	220 ± 2mm
Approx Weight	Approx. 9.9 Kg (21.8 lbs)	
Terminal	T12 (M8 bolt)	
Container Material	ABS+PC	
Max. Charging Current	100A	
Recommended Charging Current	50A	
Charging Voltage	Bulk Voltage (Max.)	13.8 V
	Floating Voltage	13.5 V
Max. Discharging Current	100A	
End of Discharging Voltage	11.2V DC	
Operating Temperature Range	Discharge:	-20°C to 55°C (-4 to 131°F)
	Recharge:	0°C to 50°C (32 to 122°F)
Storage Temperature	-40°C to +60°C	
	When storing at 25°C: Recharge every year When storing at 40°C: recharge every 3 months	
Humidity	0 to 95% (non condensing)	
Life in Cycles	> 3.500 cycles (25°C, 100% DOD & 80% EOL, 0.5C/0.5C)	
Life span	> 10 years	



### APPLICATIONS / Aplicaciones

Telecommunications  
Solar Systems  
Wind Power Systems  
Engine Starting  
Wheelchairs  
Floor cleaning machines  
Gold trolley  
Boats

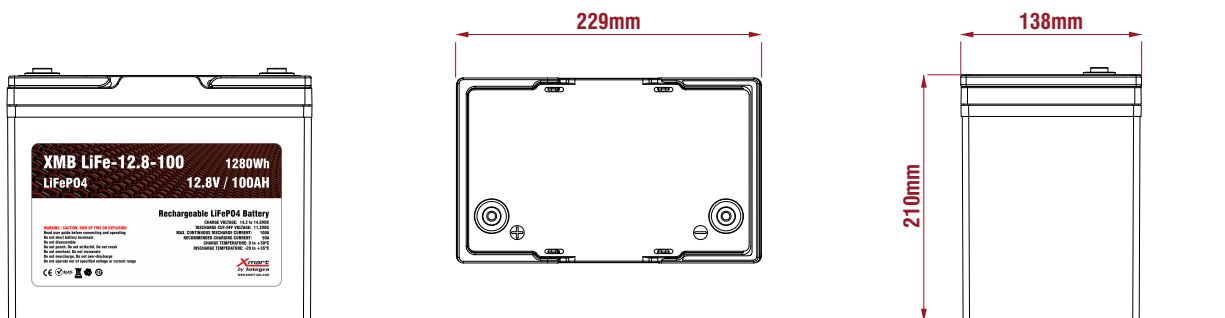
### BMS: Battery Management System

BMS	Hardware BMS integrated Bluetooth internal module: Not supported in V0 RJ45-USB communication port: Not supported in V0
Human Interface	ON/OFF push button: Not supported in V0 LED: Not supported in V0
Protections	Over-charge, Over-discharge, Over-current, Short-circuit High-temperature, Low-temperature
Connection Capabilities	Up to 4 sets in parallel Up to 4 units in series

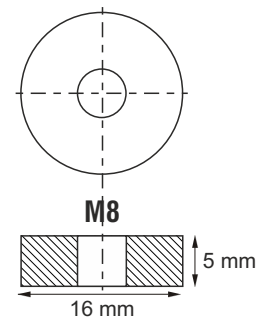
### CERTIFICATIONS

IP Class	IP65
Safety	UN38.3 & CE

### DIMENSIONS / Dimensiones



### TERMINAL T12 / Terminal T12



LIFEP04 P2

# LiFePO4 - MAINTENANCE-FREE BATTERY

## 12.8V - 100AH (1280Wh)

**Xmart**  
by **Integra**

**Model: V1** (Version with all communication options / Versión con todas las opciones de comunicación)

### TECHNICAL SPECIFICATIONS / Especificaciones Técnicas

Nominal Voltage	12.8V	
Nominal Capacity	100AH	
Total Energy	1280Wh	
Dimensions	Length:	260 ± 2mm
	Width:	168 ± 2mm
	Container Height:	210 ± 2mm
	Total Height (with terminals):	220 ± 2mm
Approx Weight	Approx. 10 Kg (22 lbs)	
Terminal	T12 (M8 bolt)	
Container Material	ABS+PC	
Max. Charging Current	100A	
Recommended Charging Current	50A	
Charging Voltage	Bulk Voltage (Max.)	13.8 V
	Floating Voltage	13.5 V
Max. Discharging Current	100A	
End of Discharging Voltage	11.2V DC	
Operating Temperature Range	Discharge:	-20°C to 55°C (-4 to 131°F)
	Recharge:	0°C to 50°C (32 to 122°F)
Storage Temperature	-40°C to +60°C	
	When storing at 25°C: Recharge every year When storing at 40°C: recharge every 3 months	
Humidity	0 to 95% (non condensing)	
Life in Cycles	> 3.500 cycles (25°C, 100% DOD & 80% EOL, 0.5C/0.5C)	
Life span	> 10 years	



### APPLICATIONS / Aplicaciones

Telecommunications  
Solar Systems  
Wind Power Systems  
Engine Starting  
Wheelchairs  
Floor cleaning machines  
Gold trolley  
Boats

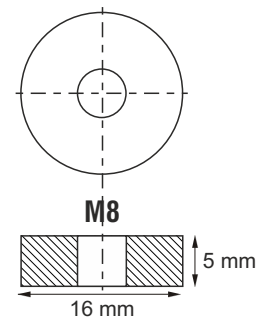
### BMS: Battery Management System

BMS	Hardware BMS integrated Supports bluetooth internal module (model V1) Supports RJ45-USB communication port (model V1)
Human Interface	ON/OFF push button LED: Battery Level (25%/50%/75%/100%); ON/OFF; ALARM
Protections	Over-charge, Over-discharge, Over-current, Short-circuit High-temperature, Low-temperature
Connection Capabilities	Up to 4 sets in parallel
	Up to 4 units in series

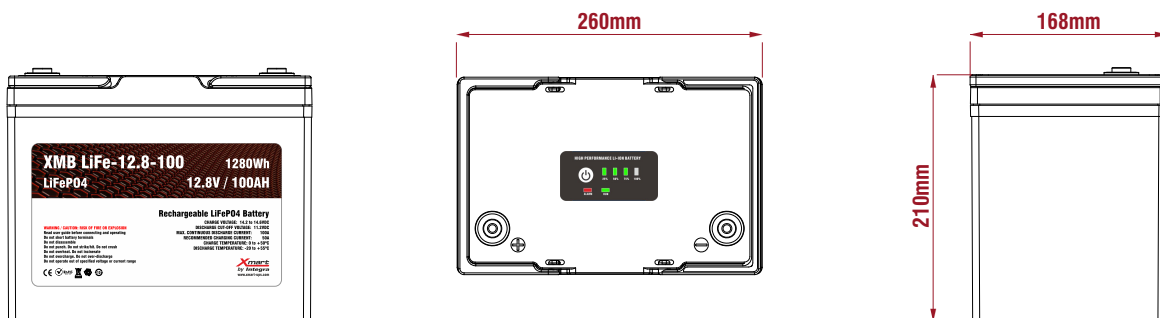
### CERTIFICATIONS

IP Class	IP65 for non communication port model IP30 for communication port (model V1)
Safety	UN38.3 & CE

### TERMINAL T12 / Terminal T12



### DIMENSIONS / Dimensiones



LIFEPO4 P3

# LiFePO4 - MAINTENANCE-FREE BATTERY

## 12.8V - 200AH (2560Wh)



**Model: V1** (Version with all communication options / Versión con todas las opciones de comunicación)

### TECHNICAL SPECIFICATIONS / Especificaciones Técnicas

Nominal Voltage	12.8V	
Nominal Capacity	200AH	
Total Energy	2560Wh	
Dimensions	Length:	522 ± 2mm
	Width:	240 ± 2mm
	Container Height:	219 ± 2mm
	Total Height (with terminals):	
Approx Weight	Approx. 20.5 Kg (45 lbs)	
Terminal	T12 (M8 bolt)	
Container Material	ABS+PC	
Max. Charging Current	200A	
Recommended Charging Current	100A	
Charging Voltage	Bulk Voltage (Max.)	13.8 V
	Floating Voltage	13.5 V
Max. Discharging Current	200A	
End of Discharging Voltage	11.2V DC	
Operating Temperature Range	Discharge:	-20°C to 55°C (-4 to 131°F)
	Recharge:	0°C to 50°C (32 to 122°F)
Storage Temperature		-40°C to +60°C
	When storing at 25°C:	Recharge every year
	When storing at 40°C:	recharge every 3 months
Humidity	0 to 95% (non condensing)	
Life in Cycles	> 3.500 cycles (25°C, 100% DOD & 80% EOL, 0.5C/0.5C)	
Life span	> 10 years	



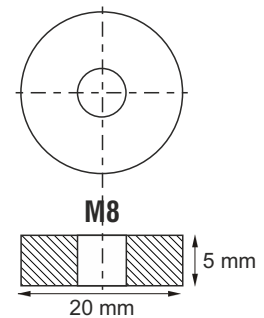
### APPLICATIONS / Aplicaciones

Telecommunications  
Solar Systems  
Wind Power Systems  
Engine Starting  
Wheelchairs  
Floor cleaning machines  
Gold trolley  
Boats

### BMS: Battery Management System

BMS	Hardware BMS integrated
	Supports bluetooth internal module (model V1) Supports RJ45-USB communication port (model V1)
Human Interface	ON/OFF push button LED: Battery Level (25%/50%/75%/100%); ON/OFF; ALARM
Protections	Over-charge, Over-discharge, Over-current, Short-circuit High-temperature, Low-temperature
Connection Capabilities	Up to 4 sets in parallel
	Up to 4 units in series

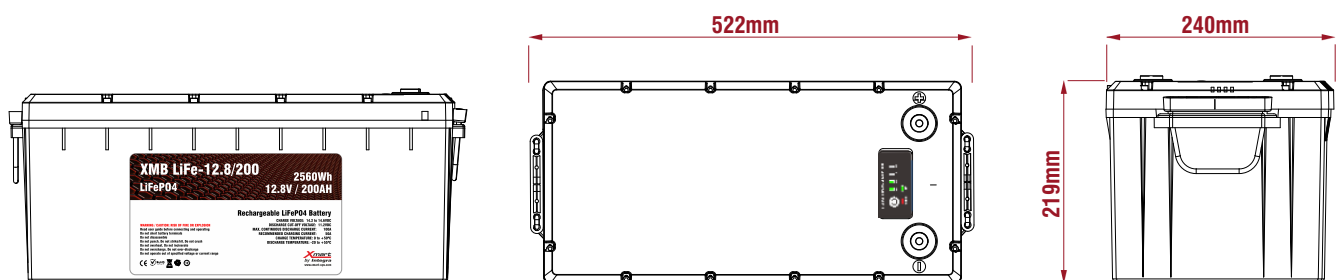
### TERMINAL T12 / Terminal T12



### CERTIFICATIONS

IP Class	IP65 for non communication port model IP30 for communication port (model V1)
Safety	UN38.3 & CE

### DIMENSIONS / Dimensiones



LIFEP04 P4

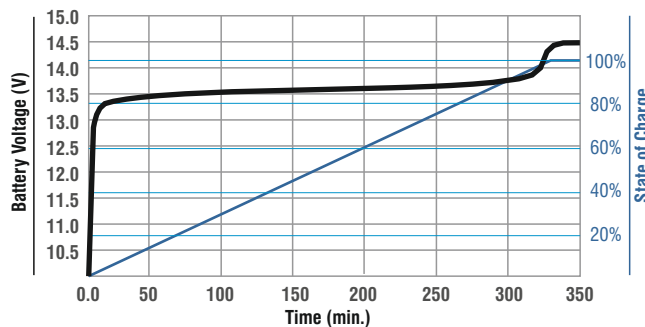
# LiFePO4 - MAINTENANCE-FREE BATTERY

## 12.8V - 100AH (1280Wh) & 200AH (2560Wh)

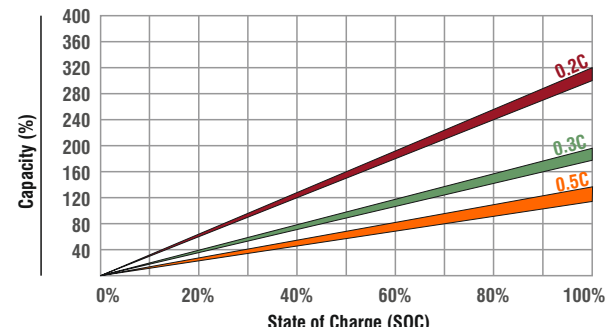


### CHARGING & DISCHARGING INFORMATION / Información de carga y descarga

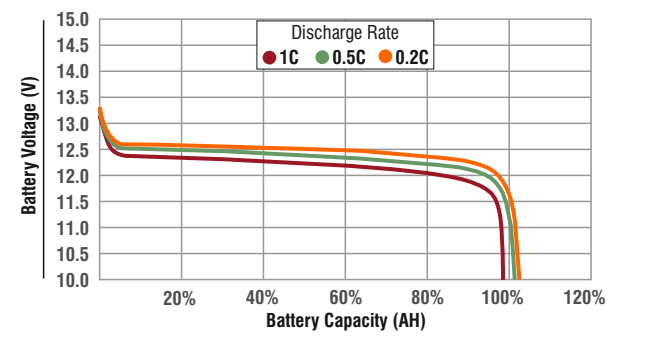
#### Charging Voltage / Tensión de Recarga (25°C / 0.2C)



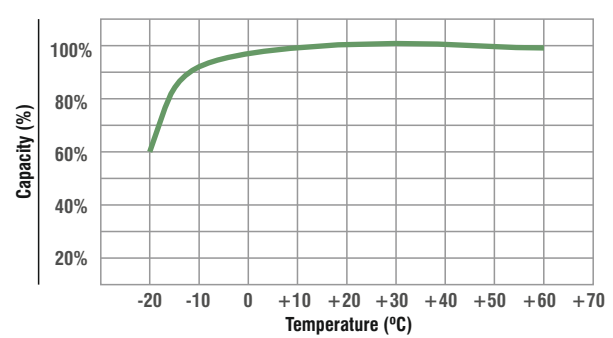
#### Recharging Time / Tiempo de recarga



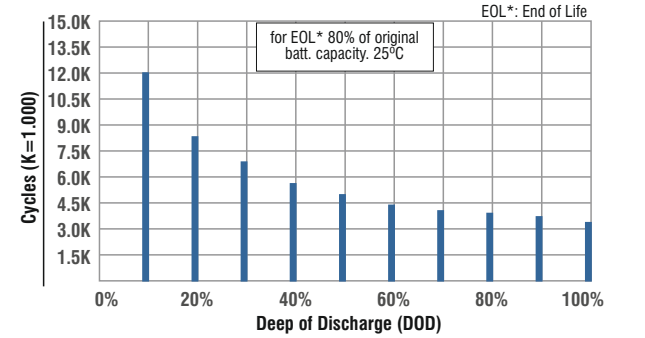
#### Discharging / Descarga (vs discharge rates @ 25°C)



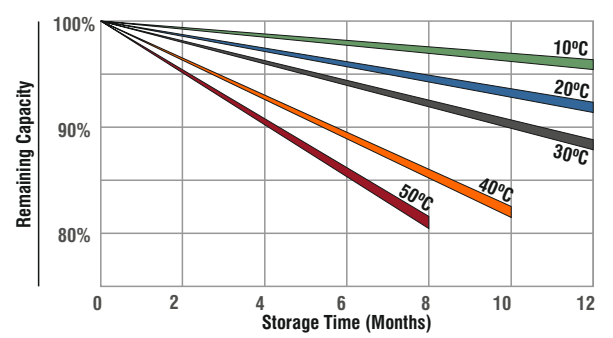
#### Capacity vs Temperature / Capacidad vs Temperatura



#### Lifespan in Cycles / Ciclos de carga-descarga (vs DOD)



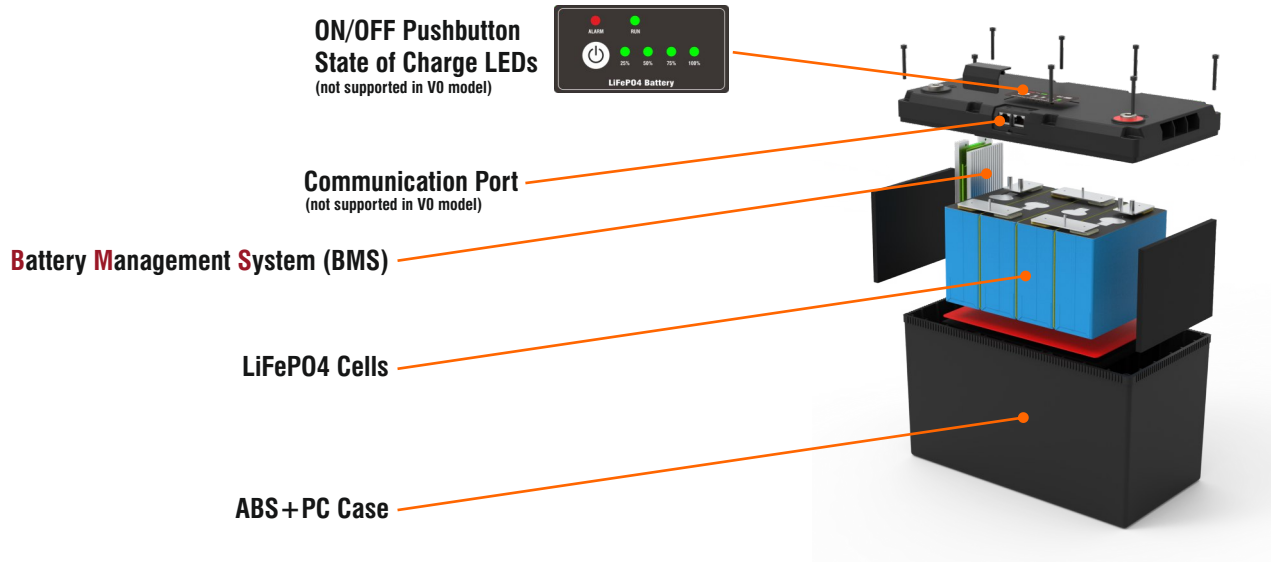
#### Self Discharge / Descarga en Almacén (vs Temp. °C)



# LiFePO4 - MAINTENANCE-FREE BATTERY 12.8V - 100AH (1280Wh) & 200AH (2560Wh)



## BATTERY STRUCTURE / Estructura de la batería



## SERIAL CONNECTION / Conexión en serie



## PARALLEL CONNECTION / Conexión paralela

