

Keystone Jack

In white, blue, red, black



QP-KJ28C6XX

Cat. 6, Keystone Jack SUPER GIGA, Blue, Red, White, Black

Performance:

- a. The IDC color codes combine two wirings of T568A & T568B
- b. Insertion force: 900 gms for 8 contacts
- c. Retention Strength: 7.7 kgs between Jack and Plug.
- d. Operation temperature: -40°C to 80°C
- e. Durability:
 - e-1. Jack: 750 cycles Plug-Jack mating and unmating test, insertion cycles at 20 cycles/minute max. Contact resistance test per 100 cycles.
 - e-2. IDC: Max. 200 punching times.
- f. The Cat 6 performance is in compliance with the ANSI/TIA/EIA 562 B.2-1 standard.

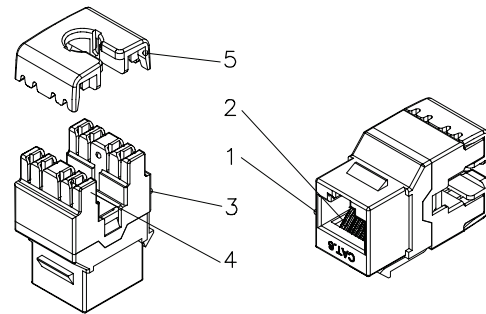
Remark: QP-KJ18C6XX:

BK= Black / WH= White / BL= Blue / RD= Red

Specifications

Material:

1. Plastic Housing: ABS + PC, UL 94V - 0.
2. Rj45 Jack contact material & finished:
 - 2-1. Phosphor Bronze, Round Pn.
 - 2-2. Min. 50 micro-inch Gold plating over 50-60 micro-inch Nickel plated.
3. IDC Housing: Polycarbonate, UL 94V2-2
4. IDC Terminal, material & finished:
 - 4-1. Phosphor Bronze with 50 micro-inch Tin-Lead plating over 50-60 micro-inch Nickel Plated
 - 4-2. Use for 22-26 AWG stranded and solid wire.
5. IDC CAP: ABS, UL 94V-0.



Scale 1/1

