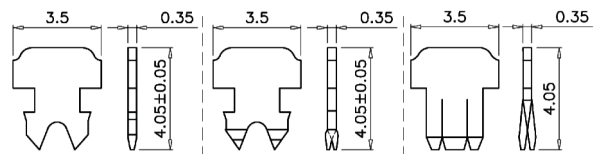


SCALE 2/1



Straight Pin

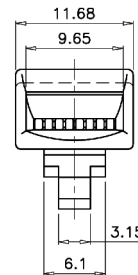
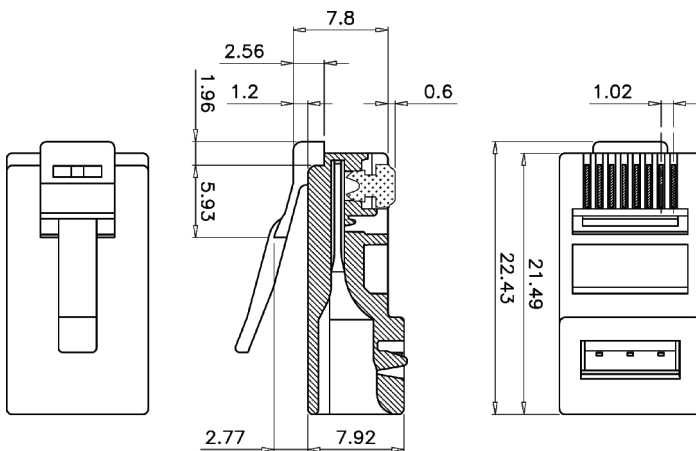
Two Prongs Pin

Three Prongs Pin

CONTACT TERMINAL  
SCALE 5/1

## QP-RJ45

Cat. 5E, 50 micrones x 1



REMARK: PR88XXXX  
(1) (2)

(1): 06=6U", 15=15U", 30=30U", 50=50U"  
(2): Blank=Straight Pin, 2X=Two Prongs Pin,  
3X=Three Prongs Pin

### Specifications

**Material:**

1. Housing PC UL, 94V-2, Transparence Color.

2. **Contact Terminal:** Phosphor Bronze.

**Finished:** 6,15,30 - 50 micho-inch Gold Plating over 50 micho-inch Nickel Plated on contact area.

### Performance

a. **Operation Temperature:**  
-40°C to 80°C

b. **Cable to plug Tensile strenght:**  
7.7 kgs

c. Use for 24-26 AWG stranded wires

**Finished:** 6,15,30 - 50 micho-inch

